

PLEASE CHECK WWW.MOLEX.COM FOR LATEST PART INFORMATION

Part Number: [0500588300](#)
Status: **Active**
Description: 1.25mm (.049") Pitch Wire-to-Board Receptacle Terminal for 26-30 AWG, Phosphor Bronze, Pre-Tin Plating, Lead-free

Documents:

[Drawing \(PDF\)](#) [RoHS Certificate of Compliance \(PDF\)](#)

General

Product Family	Crimp Terminals
Series	50058
Crimp Quality Equipment	Yes
Product Name	N/A

Physical

Gender	Female
Material - Metal	Phosphor Bronze
Material - Plating Mating	Tin
Material - Plating Termination	Tin
Packaging Type	Reel
Plating min: Mating (µin)	32.00
Plating min: Mating (µm)	0.800
Plating min: Termination (µin)	32.00
Plating min: Termination (µm)	0.80
Termination Interface: Style	Crimp or Compression
Wire Insulation Diameter	1.00mm (.039") max.
Wire Size AWG	26, 28, 30
Wire Size mm ²	N/A

Material Info

Reference - Drawing Numbers

Product Specification	RPS-51021-049
Sales Drawing	SD-50058-001

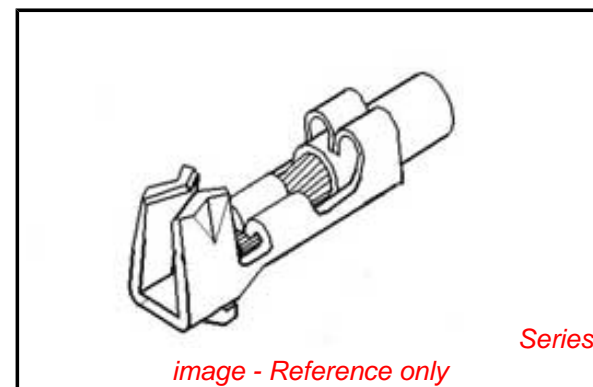


image - Reference only

EU RoHS

ELV and RoHS Compliant
REACH SVHC Contains SVHC: No
Halogen-Free Status

China RoHS



Need more information on product environmental compliance?

Email productcompliance@molex.com
 For a multiple part number RoHS Certificate of Compliance, [click here](#)

Please visit the [Contact Us](#) section for any non-product compliance questions.

Search Parts in this Series

[50058Series](#)

Mates With

[50125](#) Crimp Terminal 26-28 AWG, [50133](#) Crimp Terminal 28-32 AWG

Use With

[51021](#) Housing

Application Tooling | FAQ

Tooling specifications and manuals are found by selecting the products below. Crimp Height Specifications are then contained in the Application Tooling Specification document.

Global

Description	Product #
Extraction Tool	0011030043
FineAdjust™	0639003700
1.25mm (.049") Pitch Crim Terminal, 28-32 AWG	

T2 Terminator 0639103700
Tooling Die
Hand Crimp Tool for 0638110000
Series 50058 and
50079 Terminals on
Metal Strip

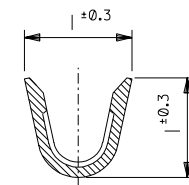
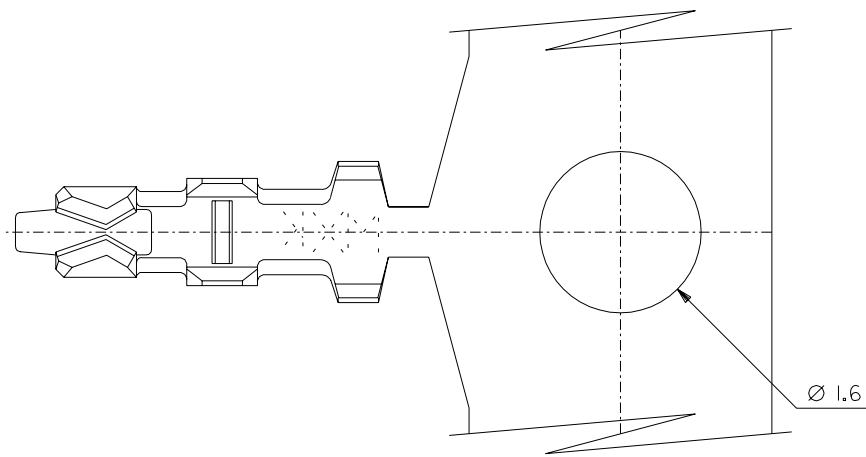
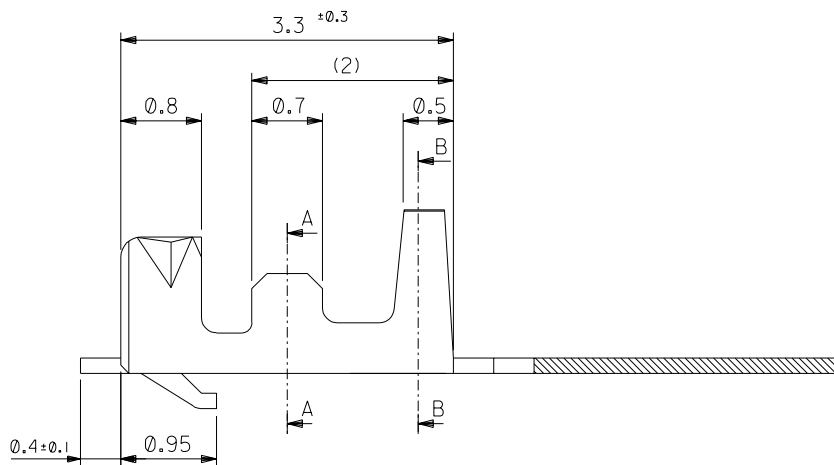
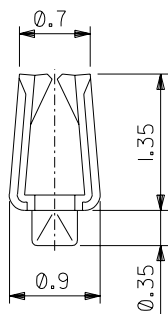
Description	Product #
Extraction Tool	<u>0570726000</u>
Hand Crimp Tool	<u>0570685000</u>

This document was generated on 04/15/2010

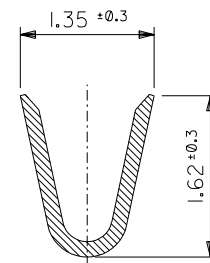
PLEASE CHECK WWW.MOLEX.COM FOR LATEST PART INFORMATION

DO NOT SCALE DRAWING
DIMENSION IN METRIC

ANGLE	±3°
3Ø OVER	±0.3
1Ø OVER 3Ø UNDER	±0.25
1Ø UNDER	±0.2
GENERAL TOLERANCES	



SECT. A-A



SECT. B-B

NOTES

1. MATERIAL : PHOSPHOR BRONZE
2. PLATING : TIN(Sn) 0.9µm MINIMUM.(PRE-PLATED)
3. APPLICABLE HOUSING : 51021-**30
4. APPLICABLE WIRE RANGE : AWG #26-#30
5. APPLICABLE INSULATION RANGE : Ø 1.0mm MAX.

50058-8300	CHAIN
ENG. NO.	FORM

DIMENSIONS:		SHT	REV
<input type="checkbox"/> mm	<input type="checkbox"/> INCH	<input checked="" type="checkbox"/> mm	<input type="checkbox"/> ONLY
		REVISE ON CAD ONLY	

NEW RELEASED EC NO. KOR2005-0077 DRWN: KSKIM (041112) CHK: Y.SOO.KIM APPR: CWLEE	QUALITY SYMBOLS	GENERAL TOLERANCES: (UNLESS SPECIFIED)		SCALE 20 - 1	DESIGN UNITS <input checked="" type="checkbox"/> mm <input type="checkbox"/> INCH	THIRD ANGLE PROJECTION		
	MAJOR ▲ =	mm	INCH	DRAWN BY & DATE KSKIM (030806)				
	CRITICAL ▽ =	4 PLACES ±0.	±	CHECKED BY & DATE Y.SOO.KIM				
		3 PLACES ±0.	±	APPROVED BY & DATE CWLEE				
		2 PLACES ±0.	±	CAD FILENAME	MATERIAL NO.	DRAWING NO.	SHEET NO.	
	1 PLACE ±0.	±	ANGULAR: ± °		SEE TABLE	SD-50058-001	1 OF 1	
REV	DRAFT WHERE APPLICABLE MUST REMAIN WITHIN DIMENSIONS						THIS DRAWING CONTAINS INFORMATION THAT IS PROPRIETARY TO MOLEX INCORPORATED AND SHOULD NOT BE USED WITHOUT WRITTEN PERMISSION.	SIZE B

TITLE:
1.25 WIRE TO BOARD CONN.
CRIMP RECEPTACLE TERMINAL

MOLEX INCORPORATED

50058-501
MX-A3